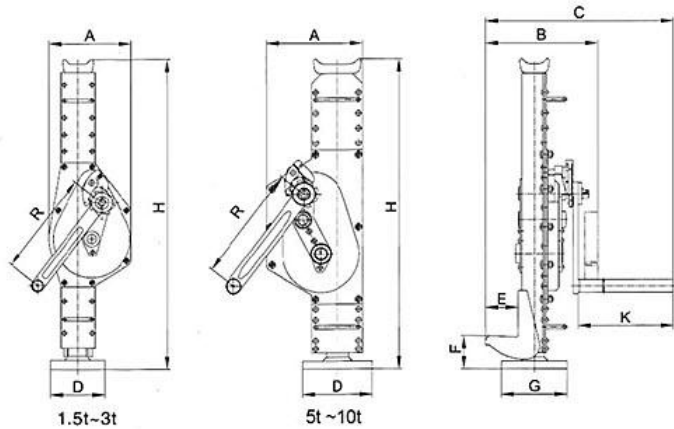
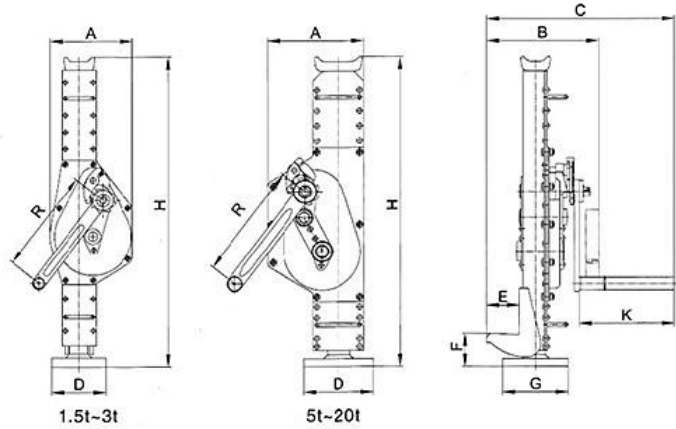
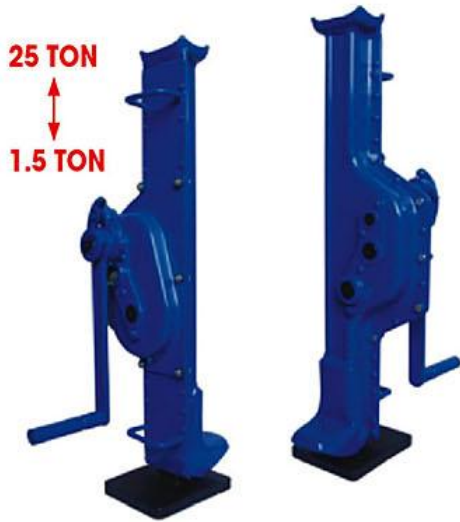


MECHANICAL JACK  
千斤顶

**Features:**

Mechanical jack is a widely used for repairing the vehicles and lifting the tracks. It is strong in construction with high safety factor. Easy to use and top welcome in the industrial and mining enterprises.



MODEL	1.5t	3t	5t	10t	16t	20t	25t	1.5t	3t	5t	10t
RATED CAPACITY (t)	1.5	3	5	10	16	20	25	1.5	3	5	10
TEST LOAD (kn)	18.4	36.8	61.3	122.5	196	245	306.3	18.4	36.8	61.3	122.5
CHAIN SHAKE TO LIFT FULL LOAD (N)	150	280	280	560	640	640	640	150	280	280	560
STROKE (mm)	300	350	350	410	320	320	320	300	350	350	410
MIN. LIFTING HEIGHT (mm)	F 600	F 730	F 730	F 800	F 800	F 860	F 970	F 600	F 735	F 735	F 805
DIMENSIONS (mm)	A	163	197	189	250	275	350	163	197	189	250
	B	190	200	239	293	320	335	206	219	258	318
	C	273	296	335	498	514	529	289	316	355	523
	D	100	130	140	140	150	150	160	170	200	220
	E	55	60	71	86	78	78	55	60	70	86
	G	110	140	170	170	180	180	140	150	170	170
	K	113	127	127	248	250	250	113	127	127	248
	R	225	250	275	300	300	380	225	250	275	300
NET WEIGHT (kg)	13.5	21.2	28.5	46.8	65	75	91	14.8	23.3	31.3	49